

SLP-24-100 Series: 6 VA Low Profile PC Mount Power transformers with a dual 24V primary and dual secondaries. Ideal for Domestic Instrumentation and HVAC power applications where minimum height is required. Split bobbin construction provides excellent primary to secondary isolation.

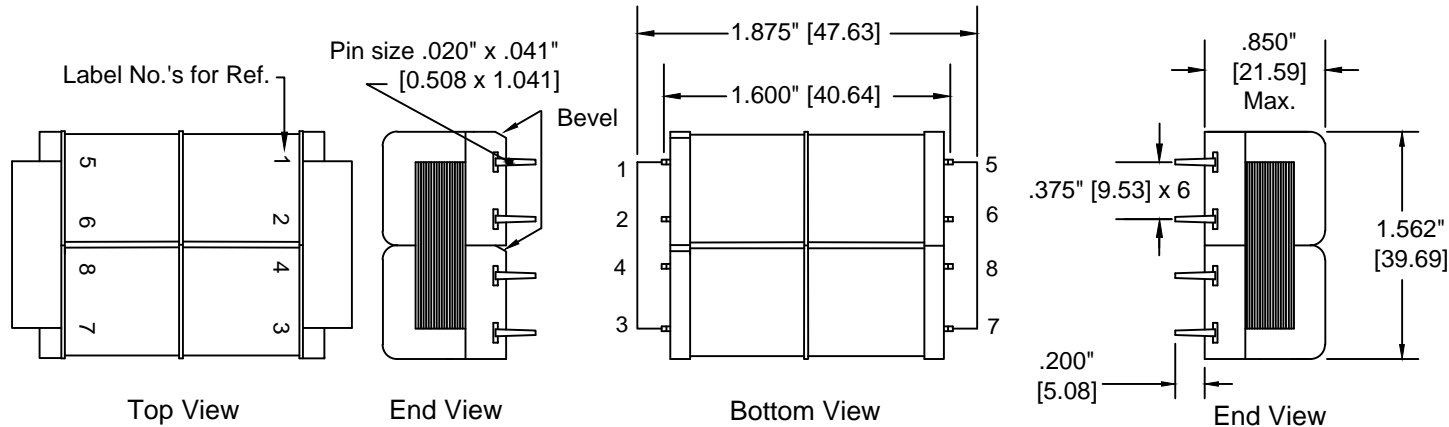
- Dielectric Strength - 1500Vrms Hipot primary - secondary
- Primaries - Dual primaries must be connected in parallel for 24V, 60Hz
- Dual secondaries - Series or Parallel
- Height - 0.850" (21.59mm)
- UL Recognized CLASS B (130°C) Insulation system, UL 1446 (File E85315)
- Three flange bobbin design, no electrostatic shield required
- 100% Final Tested: Every single transformer is tested on automated panels for exciting current, open circuit voltage (turns ratio), polarity (phasing) and dielectric strength
- Immersed in 100% solids epoxy resin to withstand most aqueous and solvent cleaning systems
- Other primary and secondary voltages may be custom designed to your specifications
- Pin-out compatible with 115V SPW-100 series

SLP-24-100- Series

Notes

FUSING THE TRANSFORMER TO MEET SAFETY AGENCY REQUIREMENTS IS THE RESPONSIBILITY OF THE CUSTOMER.

All dimensions for reference only unless otherwise specified. []=mm

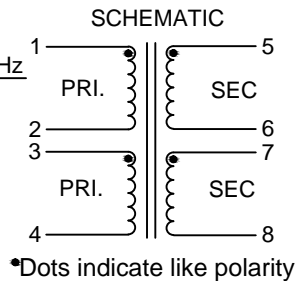


SECONDARY WINDINGS ARE DESIGNED TO BE USED AS ONE SECONDARY WINDING WITH EITHER PARALLEL OR SERIES CONNECTIONS ONLY!

INPUT VOLTAGE 1 - 4 (Tie 1-3, 2-4) 24V, 60Hz

SECONDARY PARALLEL CONNECTIONS:
TIE 5-7, 6-8; OUTPUT 5-8

SECONDARY SERIES CONNECTIONS:
TIE 6-7; OUTPUT 5-8



RMS RATING WITH SECONDARIES CONNECTED IN:

Part Number	VA	Series	Parallel
SLP-24-100	6.0	10Vct @ 600mA	5V @ 1.2A
SLP-24-101	6.0	12.6Vct @ 450mA	6.3V @ 900mA
SLP-24-102	6.0	16Vct @ 350mA	8V @ 700mA
SLP-24-103	6.0	20Vct @ 300mA	10V @ 600mA
SLP-24-104	6.0	24Vct @ 250mA	12V @ 500mA
SLP-24-111	6.0	30Vct @ 200mA	15V @ 400mA

PREM
MAGNETICS INCORPORATED
3521 N. CHAPEL HILL RD.
JOHNSBURG, IL 60051

**PREM PART
SLP-24-100 SERIES
LOW PROFILE
PC MOUNT**

Approved: R Randow

Scale: None

Date: 04/06/2015